

HDL 5055/5075

**1500mm
Max.**

**5500/7500kg
Capacity**

5.5/7.5 Ton Screw Type Mobile Column Lift



CE EAC

Technical Features



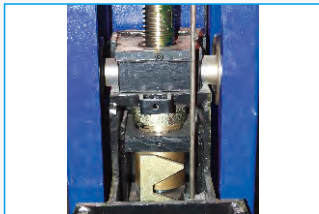
Main Control

Main control panel with main power switch



Subsidiary Control

Subsidiary control panel



Safety Mechanism

Driving screw rod with safety nut in case of wear of main nut



Lifting Track

Lifting track with working range from 900mm to 1200mm



Moving Trolley

Columns with moving trolley for easy service or storage



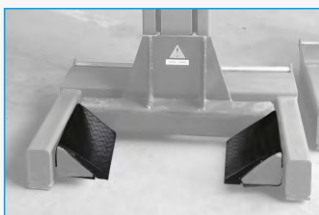
Supporting Stand

Optional 630mm supporting stand



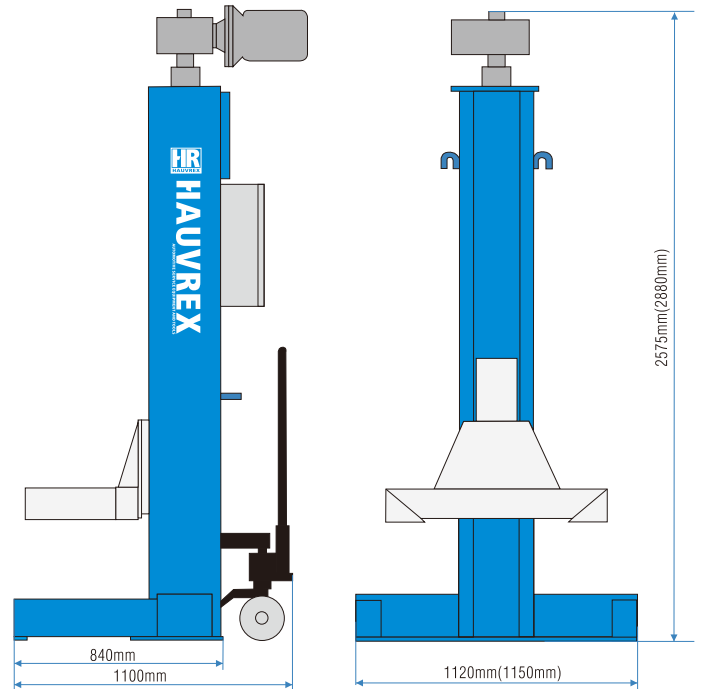
Supporting Stand

Optional 1800mm supporting stand



Wheel Adaptors

Adaptors for small wheels with diameter from 700~850mm (Optional)



Technical Data

| | |
|------------------------------|--------------------------------|
| Lifting Capacity each Column | 5.5 ton/7.5ton |
| Max. Lifting Height | 1,500mm |
| Lifting Speed | 10mm/s |
| Motor Power | 3kW |
| Power Supply | 380V/50Hz/3Ph 220V/50Hz/1Ph |