

HXL

6735/6745/6755

3.5/4.5/5.5 Ton Alignment Scissor Lift

With wheel-free lift, pneumatic lock release



CE EAC

Technical Features



Control

Control cabinet with UP, Down button, main power switch, lock button, power indication light and photocell cut-off button



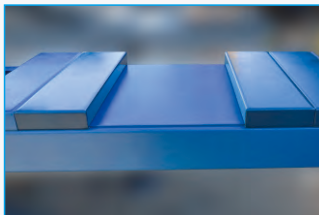
Safety Lock

Safety lock teeth on both cylinders with automatic engagement and pneumatic lock release



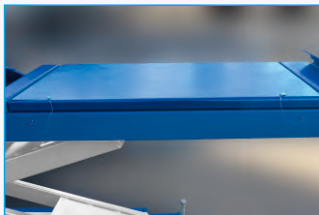
Wheel-free Lift

Built-in wheel-free lift table allows better access to vehicle underside and all operations requiring wheel free situation



Front Recesses

Adjustable front recesses for turning plates to suit different wheel base vehicles



Side Slip Plate

Side slip plate for wheel alignment measuring and adjustment on rear axle



Drive Ramps

Drive ramps act as wheel stoppers after the lift is on working position



Photocell Device

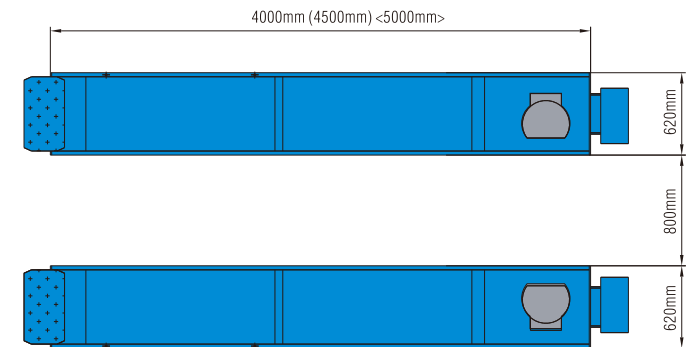
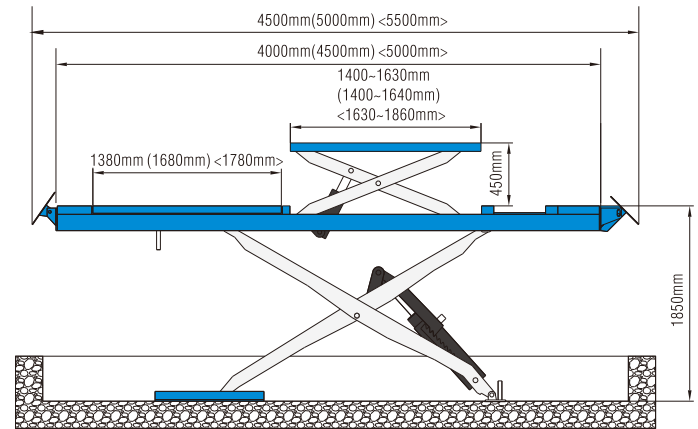
Photocell synchronization device in case of uneven lifting operation



Level Adjustment

Level adjustment pins on the base plate

Technical Drawing



Note: HXL6735 (HXL6745) -HXL6755>

Technical Data

Model	HXL6735	HXL6745	HXL6755
Lifting Capacity	3,500kg	4,500kg	5,500kg
Min. Height	330mm	330mm	380mm
Max. Lifting Height	1,850mm	1,850mm	1,850mm
Platform Length	4,000mm	4,500mm	5,000mm
Platform Width	620mm		
Distance between Platforms	800mm		
Air Supply	6~8kg/m ³		
Lifting/Lowering Time	55Sec./45Sec.		
Motor Power	2.2kW	2.2kW	3.0kW
Power Supply	380V/50Hz/3Ph 220V/50Hz/1Ph		