

HXL

6435Y

Min.
110mm

1920mm
Max.

3500kg
Capacity

3.5 Ton Low Profile Scissor Lift

With photocell and pneumatic lock release



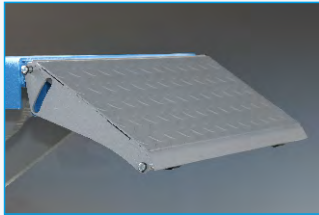
CE EAC

Technical Features



Control

Control cabinet with UP, DOWN, LOCK, photocell cut-off switch, main power switch, power indication light and buzzer



Drive-on Ramp

Drive-on ramps which can be locked on level as platform extension



Start-up Device

Start-up device guarantees 3.5 ton lifting capacity at the initial lifting stage and smooth lowering at the last lowering stage



Safety Lock

Mechanical safety lock bar with pneumatic lock release



Photocell

Photocell synchronization device in case of uneven lifting operation



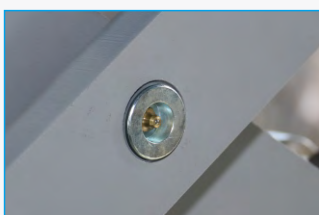
Up Limit Switch

Adjustable up limit switch



Foot Protection

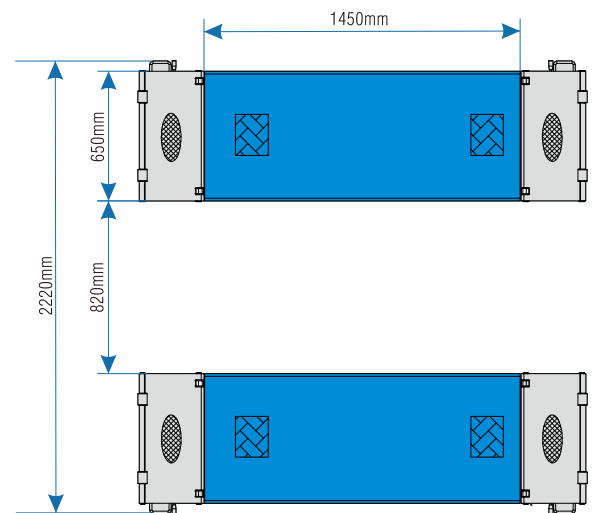
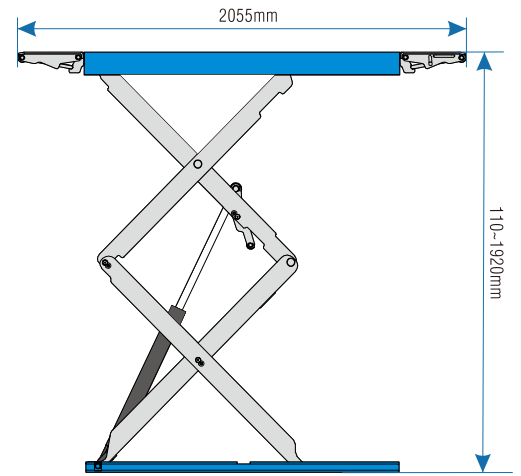
Proximity sensor which stops the lift at the last lowering stage as foot protection



Grease Point

Grease point on all shafts to reduce wear out of components

Technical Drawing



Technical Data

Lifting Capacity	3,500kg
Min. Height	110mm
Max. Lifting Height	1920mm
Platform Length	1,450mm
Platform Width	650mm
Distance between Platforms	820mm
Air Supply	6-8kg/m ³
Lifting/Lowering Time	55Sec./45Sec.
Motor Power	2.2kW
Power Supply	380V/50Hz/3Ph 220V/50Hz/1Ph