

HTL

2140S



4.0 Ton Two-post Lift with Base

Single side manual lock release



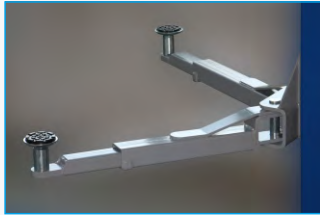
EAC

Technical Features



Control

Power pack with UP button and manual lowering valve handle



Lifting Arms

Asymmetric 2-stage lifting arms



Lifting Pad

Drop-in type lifting pad with 80mm height adaptor



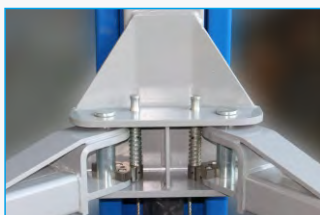
Arm Locks

Automatic arm locking during lifting and automatic unlocking when the arm reaches the floor



Lock Release

Safety locks with automatic engagement and single side manual lock release



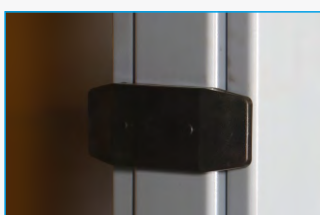
Arm Holder

C-type enclosed arm holder give more strength and safety



Safety locks

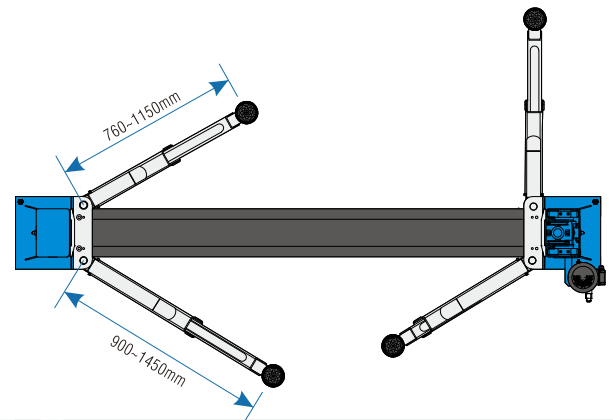
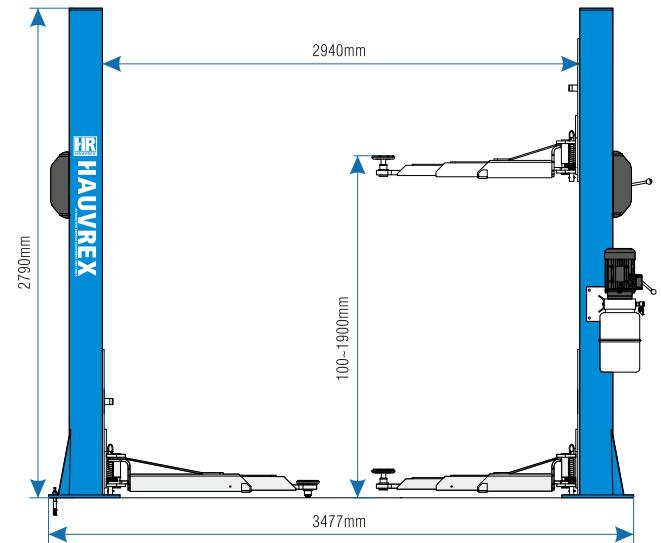
Safety lock on each column every 80mm.



Door Protection

Anti-collision door protection rubber on carriages

Technical Drawing



Technical Data

Lifting Capacity	4,000kg
Min. Height	100mm
Max. Lifting Height	1,800mm
Overall Height	2,790mm
Overall Width	3,477mm
Width between Posts	2,940mm
Short Arm Length	760~1,150mm
Long Arm Length	900~1,450mm
Lifting/Lowering Time	55Sec./45Sec.
Motor Power	2.2kW
Power Supply	380V/50Hz/3Ph 220V/50Hz/1Ph